



MICRO SWITCH

FREEPORT, ILLINOIS, U.S.A.
A DIVISION OF HONEYWELL

FED. MFG. CODE 91829

SWITCH -- BASIC

CATALOG LISTING



V3-101

CKB 0100

M V3-101

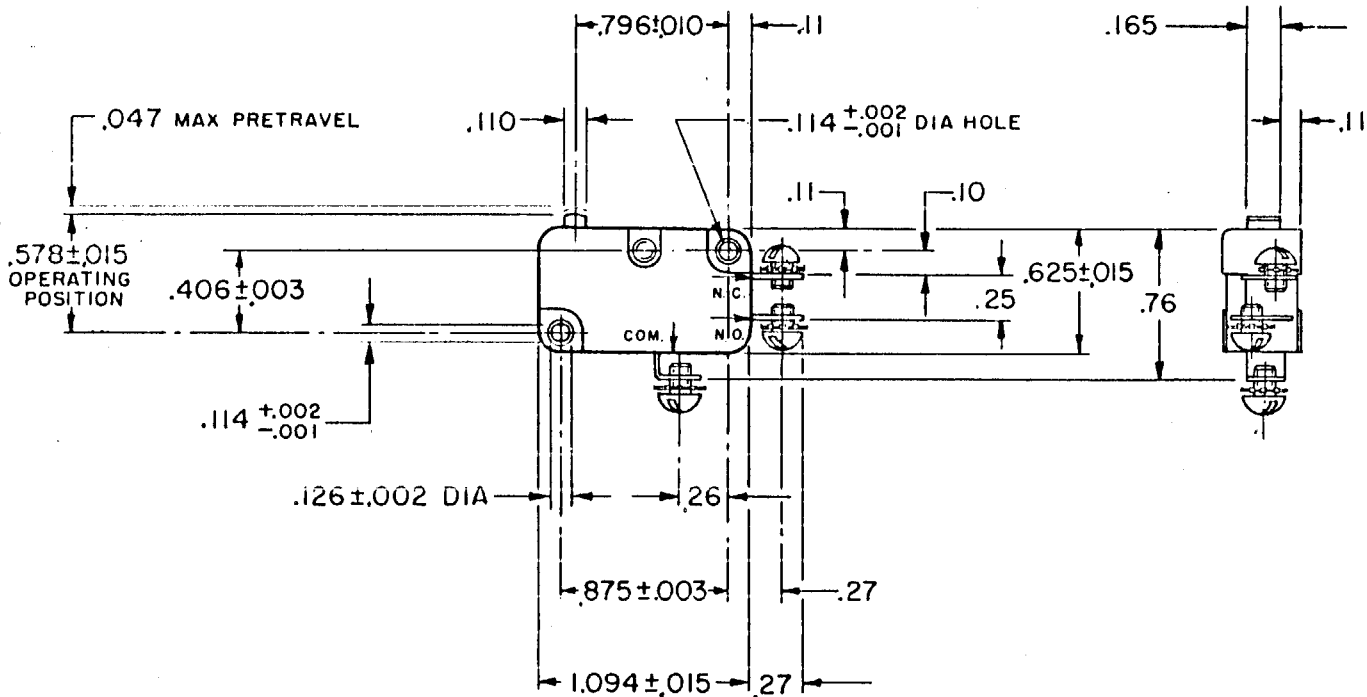
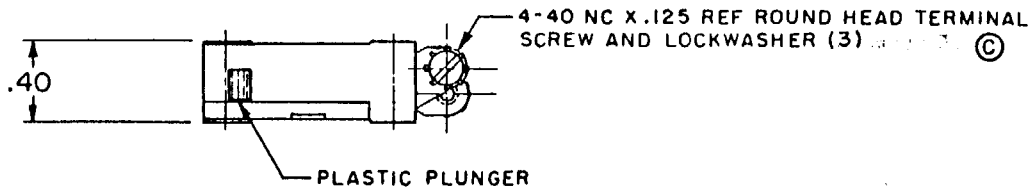
DRAWING NUMBER

ISSUE NO. 17

RELEASE NO.

REVISIONS

A	CO20189	3	MAY 65
B	CO21688	3	OCT 66
C	CO24941	3	DEC 68
D	CO26075	26	AUG 69
E	CO31748	2	APR 73
F	CO32395	14	AUG 73
G	CO59921	29	SEPT 86
H	CO74475	15	APR 93



THIS DRAWING COVERS A PROPRIETARY ITEM AND IS THE PROPERTY OF MICRO SWITCH, A DIVISION OF HONEYWELL. THIS DRAWING IS NOT TO BE COPIED OR USED WITHOUT THE APPROVAL OF MICRO SWITCH.

CHARACTERISTICS	ELECTRICAL DATA	SCALE FULL
OPERATING FORCE----- 8 OZ MAX	CONTACT ARRANGEMENT S P D T	DO NOT SCALE PRINT
RELEASE FORCE----- 2 OZ MIN	11A-1/3HP-125-250-277 VAC - L156 - 1/2A-125 VDC; 1/4A-250 VDC 4A-125 VAC "L"	UNLESS OTHERWISE NOTED DIMENSIONS ARE IN INCHES TOLERANCES ARE:
DIFFERENTIAL TRAVEL----- .006-.016		ONE PLACE (.0) ±.030 TWO PLACE (.001) ±.015 THREE PLACE (.000) ±.005 ANGLES ±
OVERTRAVEL----- .040 MIN		WEIGHT .017 LB
FREE POSITION----- .625 MAX		
RELEASE TRAVEL----- .007MIN		